



# MPE

4 - 76 kW

Water chilling package and heat pumps, air condensation; outdoor installation



Requested model

MPE020H0AB

## Cooling

Data Inputs	USR W 15°C 10°C 0% SRC A 27°C	
		40%
Cooling capacity	kW	24.6
Cooling capacity [UNI EN 14511]	kW	24.5
Water Flow user side	l/h	4237
Water Pressure drops user side	kPa	77
Compressor power input	kW	6.2
Compressor absorbed current	A	10.0
Total Power input	kW	6.7
Total Power input [UNI EN 14511]	kW	6.9
Total Absorbed Current	A	12.0
EER	W/W	3.69
EER [UNI EN 14511]	W/W	3.56
ESEER	Wh/Wh	3.15
SEER	Wh/Wh	3.14
Eta s (Seasonal Cooling Efficiency)		122.62
LP Pumps (option) User side - Available pressure head	kPa	71
LP Pumps (option) User side - Maximum Absorbed Current (FLA)	A	4

## Heating

Data Inputs	USR W 40.0°C 45.0°C 0% SRC A 7.0°C 87%	
Heating capacity	kW	23.8
Heating capacity [UNI EN 14511]	kW	23.9
Water Flow user side	l/h	4139
Water Pressure drops user side	kPa	75
Compressor power input	kW	7.3
Compressor absorbed current	A	11.7
Total Power input	kW	7.8
Total Power input [UNI EN 14511]	kW	8.0
Total Absorbed Current	A	13.9
COP	W/W	3.05
COP [UNI EN 14511]	W/W	2.99
SCOP	Wh/Wh	3.22
Eta s (Seasonal Heating Efficiency)		126.00
Heating Seasonal Efficiency Class	A+ / L.T. Heat Pump	
LP Pumps (option) User side - Available pressure head	kPa	93
LP Pumps (option) User side - Maximum Absorbed Current (FLA)	A	4

## Common Data

Maximum absorbed current (FLA) [without options]	A	24
--	---	----

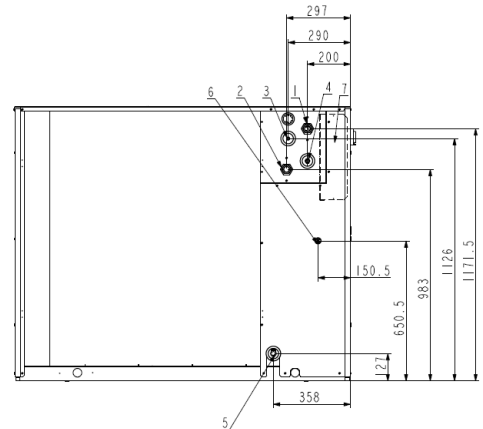
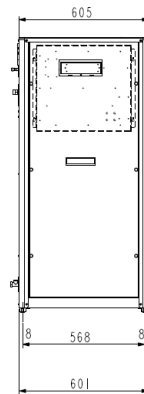
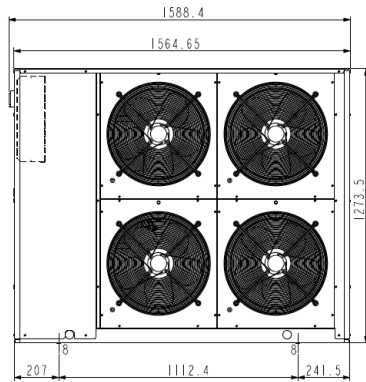


**Aalborg:**  
 Vissevej 95  
 DK-9210 Aalborg  
 Tlf.: 98 19 01 66  
 aircold@aircold.dk

# Aircold

**København:**  
 Vævergangen 18  
 DK-2690 Karlslunde  
 Tlf.: 70 27 01 66  
 aircold@aircold.dk

Start up current (LRA) [without options]	A	105
Sound power level Lw (base unit) [without options]	dB(A)	71
Sound pressure level Lp (base unit) [without options]	dB(A)	43
Source Air Volumetric Flow	m <sup>3</sup> /h	10910
Source Fans Number		4
Source Fans Power Input	kW	0.5
Source Fans Absorbed Current	A	2.0
Compressors/Circuits		1/1
Buffer tank volume (option)	l	50
Power Supply		400 / 3 / 50
Refrigerant		R410A
GWP		2088
Weight without options	kg	273



1. Indløb 1 ¼" hun
2. Udløb 1 ¼" hun
3. Afløbsslange sikkerhedsventil
4. ½" (han) påfyldning vand/brine
5. Aftapning ½" hun
6. Forsyning EI Ø28
7. Styring og elboks
8. Antivibration

