

## Outputs

Chiller for køling til fancoils og ventilationsanlæg



### Output data

Requested model

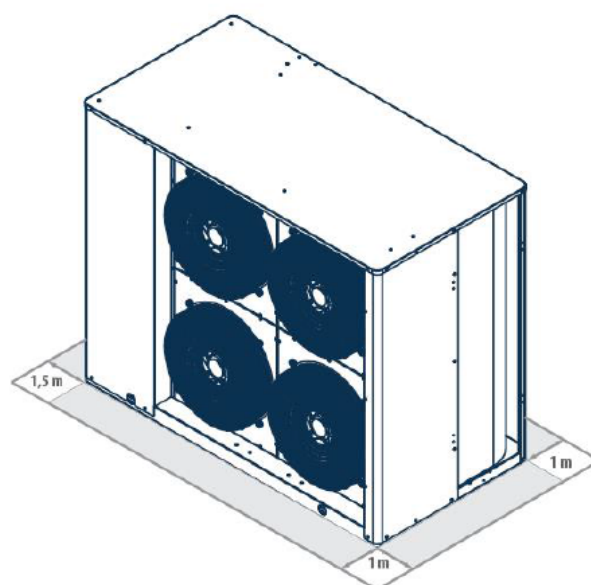
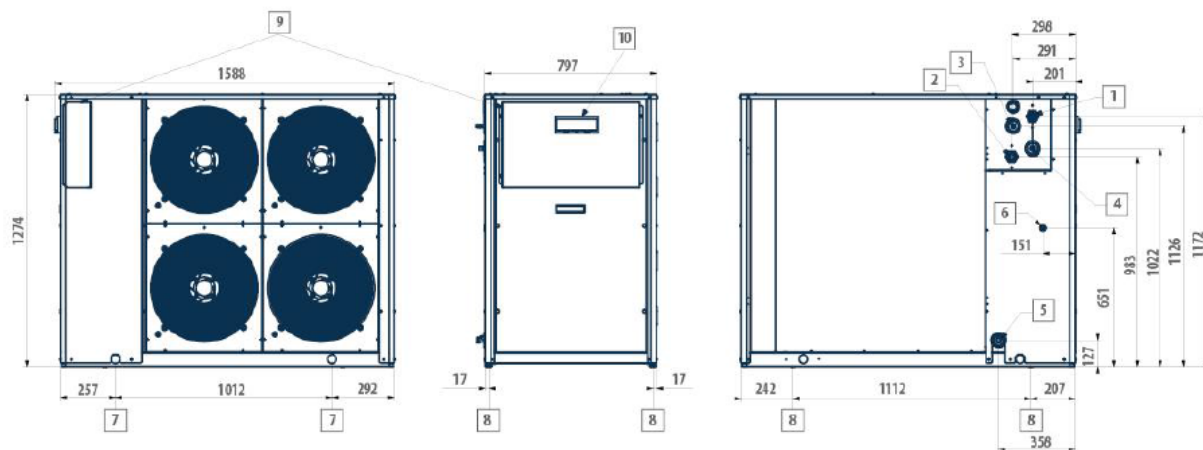
MPET23C0AC

Cooling		
Data Inputs		USR W 15/10°C 0% SRC A 27°C 40%
Cooling capacity	kW	29,4
Cooling capacity [UNI EN 14511-2018]	kW	29,2
Water Flow user side	l/h	5053
Water Pressure drops user side	kPa	72
Compressor power input	kW	6,7
Compressor absorbed current	A	10,8
Total Power input	kW	7,1
Total Power input [UNI EN 14511-2018]	kW	7,4
Total Absorbed Current	A	12,7
EER		4,11
EER [UNI EN 14511-2018]		3,95
ESEER		3,42
SEER		4,10
Eta s (Seasonal Cooling Efficiency)		161,00
LP Pumps (option) User side - Available pressure head	kPa	36
LP Pumps (option) User side - Maximum Absorbed Current (FLA)	A	4,1
Common Data		
Maximum absorbed current (FLA) [without options]	A	26
Start up current (LRA) [without options]	A	95
Start up current with Soft Starter kit [without options]	A	73
Sound power level Lw (base unit)	db(A)	73
Sound pressure level Lp (base unit)	db(A)	45
Source Air Volumetric Flow	m <sup>3</sup> /h	10800
Source Fans Number		4
Source Fans Power Input	kW	0,4
Source Fans Absorbed Current	A	1,9
Compressors/Circuits		2/1
Buffer tank volume (option)	l	50
Power Supply		400 / 3 / 50
Refrigerant		R410A
GWP		2088
Dimensions [LxDxH]	mm	1588x797x1274
Weight without options	kg	219

**Aalborg:**  
Vissevej 95  
DK-9210 Aalborg  
Tlf.: 98 19 01 66  
aircold@aircold.dk

# Aircold

**København:**  
Vævergangen 18  
DK-2690 Karlslunde  
Tlf.: 70 27 01 66  
aircold@aircold.dk



1. Indløb 1 ¼" hun
2. Udløb 1 ¼" hun
3. Afløbsslange sikkerhedsventil
4. ½" (han) påfyldning vand/brine
5. Aftapning ½" hun
6. Forsyning EI Ø28
7. Løftepunkter
8. Styring og elboks
9. Antivibration
10. Brugerpanel