

Køleanlæg og Varmepumpe luft til vand

Reversibel Chiller Varmepumpe for køl og varme til fancoils, varmeventilatorer, kaloriferer, ventilationsanlæg mm



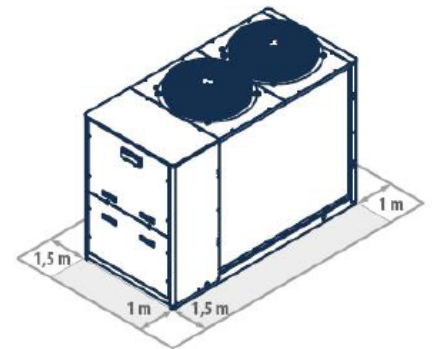
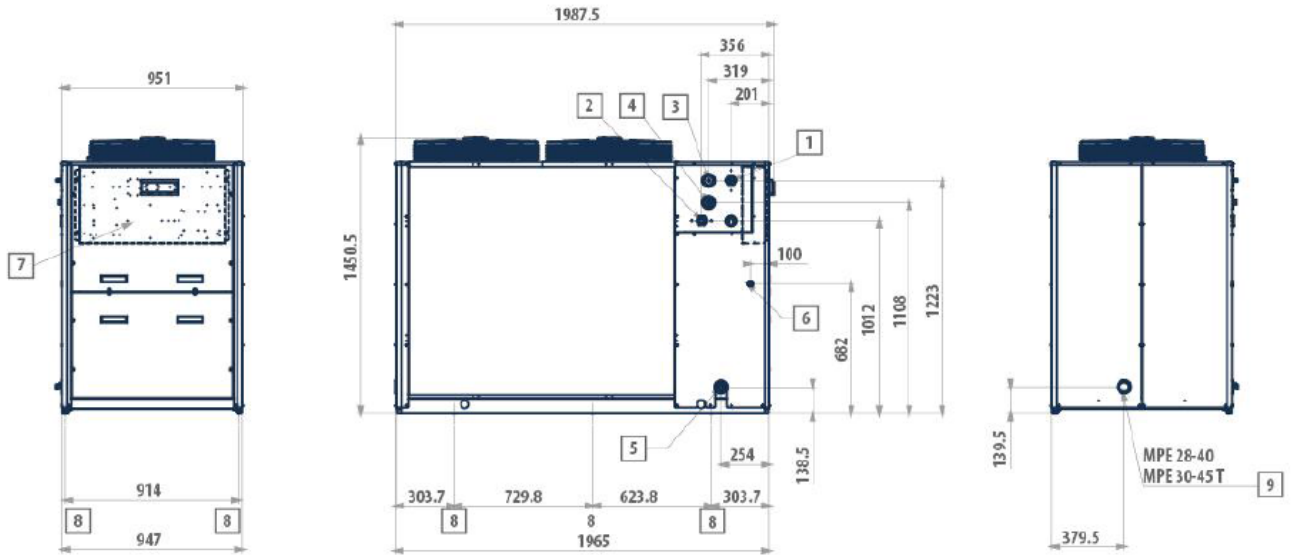
Requested model	MPE032H0AA	
Cooling		
Data Inputs	USR W 15°C 10°C 0% SRC A 27°C 40%	
Cooling capacity	kW	36,8
Cooling capacity [UNI EN 14511]	kW	36,6
Water Flow user side	l/h	6330
Water Pressure drops user side	kPa	67
Compressor power input	kW	7,9
Compressor absorbed current	A	12,6
Total Power input	kW	8,9
Total Power input [UNI EN 14511]	kW	9,2
Total Absorbed Current	A	17,1
EER		4,14
EER [UNI EN 14511]		3,99
ESEER		3,56
SEER		3,58
Eta s (Seasonal Cooling Efficiency)		140,37
LP Pumps (option) User side - Available pressure head	kPa	90
LP Pumps (option) User side - Maximum Absorbed Current (FLA)	A	2
Heating		
Data Inputs	USR W 40,0°C 45,0°C 0% SRC A 7,0°C 87%	
Heating capacity	kW	35,9
Heating capacity [UNI EN 14511]	kW	36,1
Water Flow user side	l/h	6240
Water Pressure drops user side	kPa	65
Compressor power input	kW	9,4
Compressor absorbed current	A	15,1
Total Power input	kW	10,5
Total Power input [UNI EN 14511]	kW	10,7
Total Absorbed Current	A	19,7
COP		3,43
COP [UNI EN 14511]		3,36
SCOP		3,64
Eta s (Seasonal Heating Efficiency)		143,00
Heating Seasonal Efficiency Class		A+ / L.T. Heat Pump
LP Pumps (option) User side - Available pressure head	kPa	112
LP Pumps (option) User side - Maximum Absorbed Current (FLA)	A	2
Common Data		
Maximum absorbed current (FLA) [without options]	A	34

Aalborg:
 Vissevej 95
 DK-9210 Aalborg
 Tlf.: 98 19 01 66
 aircold@aircold.dk

Aircold

København:
 Vævergangen 18
 DK-2690 Karlslunde
 Tlf.: 70 27 01 66
 aircold@aircold.dk

Start up current (LRA) [without options]	A	166
Sound power level Lw (base unit) [without options]	dB(A)	73
Sound pressure level Lp (base unit) [without options]	dB(A)	45
Source Air Volumetric Flow	m ³ /h	19500
Source Fans Number		2
Source Fans Power Input	kW	1,0
Source Fans Absorbed Current	A	4,4
Compressors/Circuits		1/1
Buffer tank volume (option)	l	125
Power Supply		400 / 3 / 50
Refrigerant		R410A
GWP		2088
Weight without options	kg	400



LEGEND

1	Water inlet \varnothing 1"1/4 female
2	Water outlet \varnothing 1"1/4 female
3	Safety valve discharge outlet provided with rubber ring holder
4	Water supply \varnothing 1/2" male (optional tap)
5	Water drainage \varnothing 1/2" female
6	Power supply \varnothing 37 mm
7	Electric control board
8	Fastening points for vibration dampers (accessory)