

## Køleanlæg MPET 34C

Chiller for køling til fancoils og ventilationsanlæg mm



Requested model

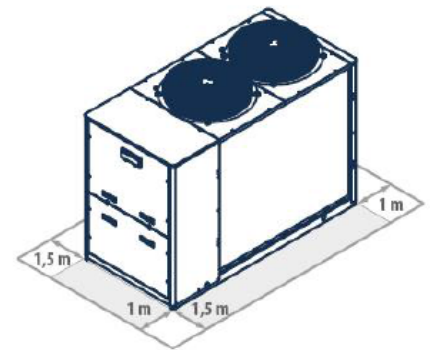
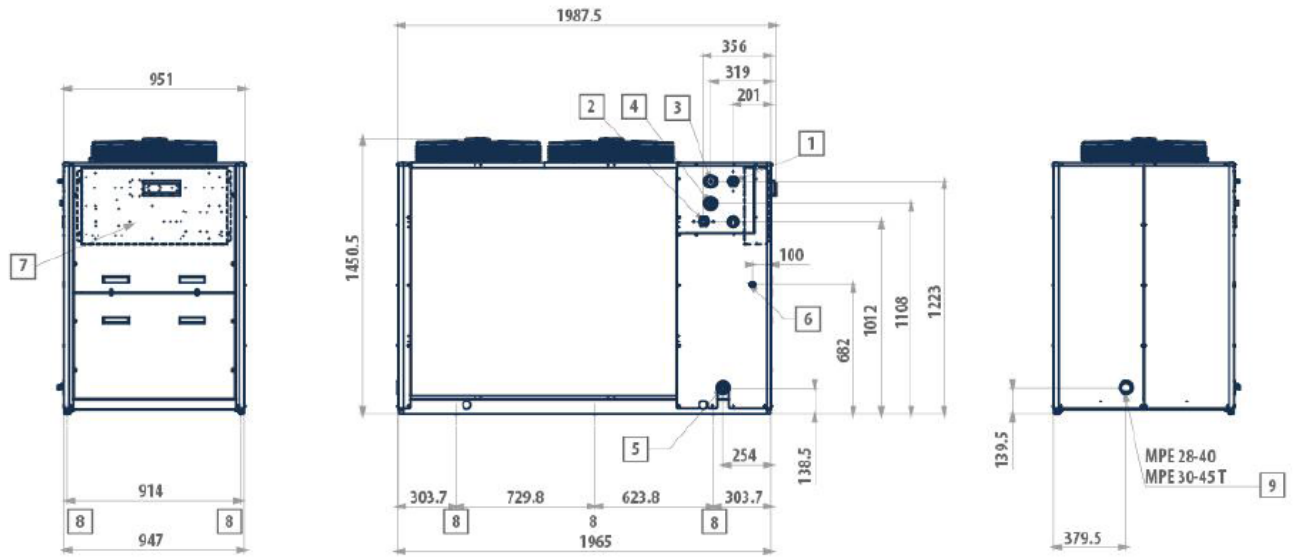
MPET34C0AC

Cooling		
Data Inputs		USR W 15/10°C 0% SRC A 27°C 40%
Cooling capacity	kW	45,3
Cooling capacity [UNI EN 14511-2018]	kW	45,1
Water Flow user side	l/h	7789
Water Pressure drops user side	kPa	64
Compressor power input	kW	10,1
Compressor absorbed current	A	16,1
Total Power input	kW	11,1
Total Power input [UNI EN 14511-2018]	kW	11,4
Total Absorbed Current	A	20,6
EER		4,09
EER [UNI EN 14511-2018]		3,95
ESEER		4,11
SEER		4,11
Eta s (Seasonal Cooling Efficiency)		161,40
LP Pumps (option) User side - Available pressure head	kPa	55
LP Pumps (option) User side - Maximum Absorbed Current (FLA)	A	4,3
Common Data		
Maximum absorbed current (FLA) [without options]	A	39
Start up current (LRA) [without options]	A	116
Start up current with Soft Starter kit [without options]	A	90
Sound power level Lw (base unit)	db(A)	73
Sound pressure level Lp (base unit)	db(A)	45
Source Air Volumetric Flow	m3/h	19700
Source Fans Number		2
Source Fans Power Input	kW	1,0
Source Fans Absorbed Current	A	4,5
Compressors/Circuits		2/1
Buffer tank volume (option)	l	125
Power Supply		400 / 3 / 50
Refrigerant		R410A
GWP		2088
Weight without options	kg	312

**Aalborg:**  
Vissevej 95  
DK-9210 Aalborg  
Tlf.: 98 19 01 66  
aircold@aircold.dk

# Aircold

**København:**  
Vævergangen 18  
DK-2690 Karlslunde  
Tlf.: 70 27 01 66  
aircold@aircold.dk



**LEGEND**

- |   |  |
|---|--|
| 1 | Water inlet $\varnothing$ 1"1/4 female                         |
| 2 | Water outlet $\varnothing$ 1"1/4 female                        |
| 3 | Safety valve discharge outlet provided with rubber ring holder |
| 4 | Water supply $\varnothing$ 1/2" male (optional tap)            |
| 5 | Water drainage $\varnothing$ 1/2" female                       |
| 6 | Power supply $\varnothing$ 37 mm                               |
| 7 | Electric control board   |
| 8 | Fastening points for vibration dampers (accessory)             |