

Outputs

Reversibel Chiller Varmepumpe for køl og varme til fancoils og ventilationsanlæg



Output data

Requested model

MPE018H0AA

Cooling

Data Inputs	USR W 15/10°C 0% SRC A 27°C 40%	
Cooling capacity	kW	20,6
Cooling capacity [UNI EN 14511-2018]	kW	20,4
Water Flow user side	l/h	3535
Water Pressure drops user side	kPa	70
Compressor power input	kW	5,0
Compressor absorbed current	A	8,1
Total Power input	kW	5,5
Total Power input [UNI EN 14511-2018]	kW	5,6
Total Absorbed Current	A	10,0
EER		3,76
EER [UNI EN 14511-2018]		3,63
ESEER		3,23
SEER		3,17
Eta s (Seasonal Cooling Efficiency)		123,67
LP Pumps (option) User side - Available pressure head	kPa	98
LP Pumps (option) User side - Maximum Absorbed Current (FLA)	A	1,4

Heating

Data Inputs	USR W 40/45°C 0% SRC A 7°C 89%	
Heating capacity	kW	20,0
Heating capacity [UNI EN 14511-2018]	kW	20,1
Water Flow user side	l/h	3479
Water Pressure drops user side	kPa	70
Compressor power input	kW	6,2
Compressor absorbed current	A	9,9
Total Power input	kW	6,7
Total Power input [UNI EN 14511-2018]	kW	6,8
Total Absorbed Current	A	12,1
COP		3,00
COP [UNI EN 14511-2018]		2,94
SCOP		3,22
Eta s (Seasonal Heating Efficiency)		126,00
Heating Seasonal Efficiency Class	A+ / L.T. Heat Pump	
LP Pumps (option) User side - Available pressure head	kPa	116
LP Pumps (option) User side - Maximum Absorbed Current (FLA)	A	1,4

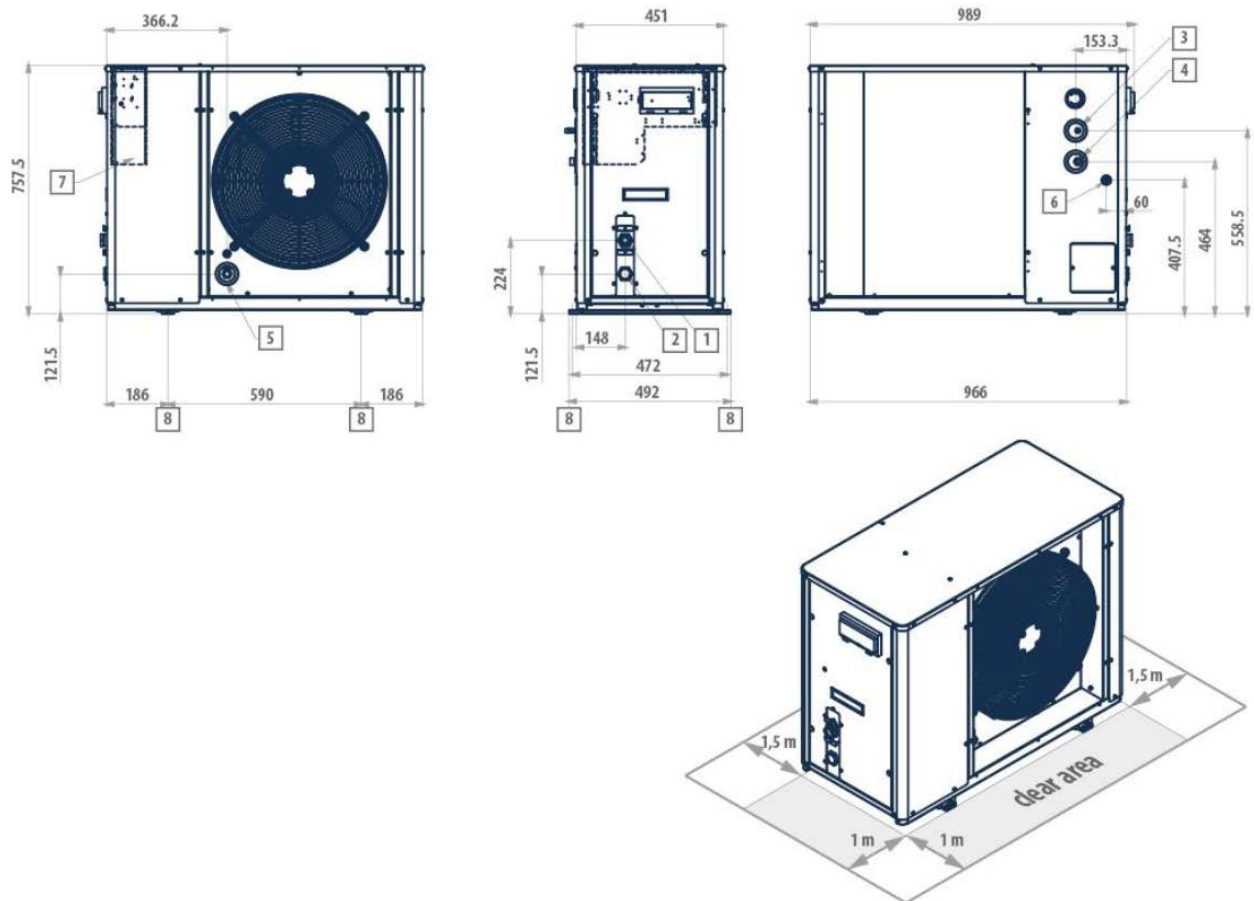
Common Data

Maximum absorbed current (FLA) [without options]	A	22
Start up current (LRA) [without options]	A	76

Aalborg:
Vissevej 95
DK-9210 Aalborg
Tlf.: 98 19 01 66
aircold@aircold.dk

Aircold

København:
Vævergangen 18
DK-2690 Karlslunde
Tlf.: 70 27 01 66
aircold@aircold.dk



1. Indløb 1" hun
2. Udløb 1" hun
3. Afløbsslange sikkerhedsventil
4. ½" (han) påfyldning vand/brine
5. Aftapning ½" hun
6. Forsyning EI Ø28
7. Styring og elboks
8. Antivibration